

April 2026



# THE HAMSTER



Official Monthly Publication Of The *Rochester (MN) Amateur Radio Club*





# THE HAMSTER

## 2026 Rochester Amateur Radio Club Officers

**President:** [Jared Pfaffenbach](#) - KEØPGS  
**Vice President:** Vacant  
**Treasurer:** [George Hopkins](#) - NØUM  
**Secretary:** [Collin Howe](#) - AAØCN  
**Member At Large:** [Steve Wiebke](#) - WØSTV  
**Trustee:** [Steve Wiebke](#) - WØSTV

The Hamster is the official monthly newsletter publication of the [Rochester \(MN\) Amateur Radio Club \(RARC\)](#). The Hamster is distributed monthly via the official RARC [groups.io](#) email reflector free to members and non-members and is also available online in the club website: [www.rarchams.org](#).

Rochester (MN) Amateur Radio Club was founded in 1932 and has been an [ARRL](#) (Amateur Radio Relay League) Affiliated Club for 50+ years.

All members are invited to [contact the Hamster](#) with comments and/or questions. Additionally, members are encouraged to suggest or submit story ideas, photos or content to the Hamster via the Editor's email link below.

The Hamster has an *outstanding* staff of regular contributors and you are invited to join the team!

[G. Mark Kelm](#) (KØGMK) - Editor

## This Month In The Hamster

- Table Of Contents - page 2
- **RARC** President's Message - page 3
- **RARC** Training - page 4
- **ZOOM** Meeting Login Information - page 5
- Education - page 6
- ARES & Community Service - pages 7-8
- Contest Corner - pages 9-10
- Hamster Hints - pages 11-16
- **RARC** Technical Committee - page 17
- **RARC** February Meeting Minutes - page 18
- **RARC** Treasurer's Report - page 19
- **ARRL** Dakota Division Happenings - pages 20-21
- **ARRL** Membership Information - page 22
- **RARC** Wednesday Breakfast - page 23
- **Spring** POTA - page 24
- **Updated** Local Ham Radio Nets - page 25
- **RARC** Contact Information - page 26

April 2026



# THE HAMSTER

## ***RARC President's Message***

Hi everybody! Welcome to spring! Time to get out there and get those antenna projects going. It's also the start of POTA season. We have an opportunity coming up to learn about and participate with a POTA activation May 2nd. Watch [Groups.IO](https://groups.io) for more information.

It's also the beginning of storm season. Keep an eye on the sky and the forecast. If you missed the Skywarn Training last March at the Olmsted County EOC, there will be two more opportunities for virtual training. Visit <https://www.weather.gov/arx/skywarn> for dates and times. Even if you are not going out as a storm spotter, it is good information to know for your safety.

As many of you have heard, our Vice President has resigned. This means there is opportunity for someone to step up and fill the position for the rest of the year. Your main job will be coming up with and coordinating the training program at our monthly meetings. We have next month's program covered and can help with ideas in future. If this is something you are interested in, please contact me or any of the board members. We are also looking for a volunteer or two to help head up Field Day. You will not be alone in either position. Help will be there if you need it.

Before I close this out, I would like to add a reminder that this is the last chance to pay club dues before being dropped from the member roll. To renew or join visit <https://www.rarchams.org/wp/join/> or see George - NØUM at the next meeting. The next meeting will be on April 14th, 6:30 pm at Fire Station #2

Have a great month all, catch you on the air!

73,

Jared Pfaffenbach  
KFØPGS

April 2026



# RARC Training



## Linux In The Ham Shack

A **RARC** Presentation

*It's easier than you think!*

Ditch the increasingly aggravating Windows OS with its constant updates, intrusive pop-ups, annoying advertising and vulnerability to viruses. **Dave Hall - W0DRH** and **Dave Thomson - K0RPD** will show you how easy it can be to set up Linux for use with your transceiver. Use it to run your current computer or resurrect that old clunker computer in the closet.

The training program begins at 6:30 PM in the Rochester EOC at 2105 Wheelock Drive NE in the lower level of  
Rochester Fire Station # 2  
The RARC monthly club meeting follows

April 2026



## April RARC Meeting ZOOM Login Information



Below is the ZOOM login information for the 04/10/2026 6:30 PM CDT RARC Meeting

Join Zoom Meeting (click on the link below):

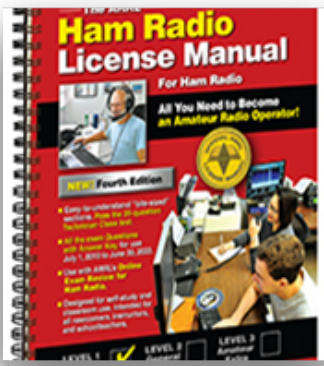
<https://us06web.zoom.us/j/9876548873?pwd=T0JBWEFzSctBYzhiazA1NTdDb2Rkdz09>

Meeting ID: 987 654 8873

Passcode: : #####

For audio only from a mobile phone:

Call: (312) 626-6799 US (Chicago) Meeting ID: 987 654 8873 Passcode: #####



April 2026

# Education

Dave - KØVH

***The first step needed to really get into Amateur Radio is to get your Amateur Radio License. This license is required in order to transmit on any of the Amateur Radio frequencies – however, listening does not. Listening is only part of the fun, so we encourage you to get your license so you can get the full experience!***

***Click on the **ARRL** link below to get your ham radio hobby started***



**[Getting Licensed - Step by Step](#)**

April 2026



# ARES

## Amateur Radio Emergency Service

### Olmsted ARES Mission Statement:

*To be so effective that you are able to help others.*

Public Service is starting for 2026. The emails for the Med City Marathon are beginning to come in. This is one of the largest public service activities we do each year. Mark your calendars for May 17th, 2026, to help communicate information between net control, 13 water stops, 4 golf carts, the medical tent, the event bus coordinator, and the MCM directors. It takes a minimum of 21 hams to make things known and happen when needed. We will be posting a signup sheet on the [RARCHAMS.ORG](http://RARCHAMS.ORG) web site soon. Sign up to monitor the RARC [groups.io](http://groups.io) email reflector for the latest information at this link: [Rochester Amateur Radio Club Inc.](http://Rochester Amateur Radio Club Inc.)

The ARES meeting on March 14th was training in advanced communications. Olmsted ARES now has two portable Starlink systems added to our communications toolbox. Some people say that Olmsted ARES is not about amateur radio anymore. The fact is we become a communications group that can get information from anywhere to anywhere during a grid down area in multiple ways. HT, mobile radio, or base station are still our main resources to connect people. We need the training on radio computer programs, offline phone apps, communication using satellite, and other internet linking for our capacity and additions to moving information accurately, further and faster when needed for our served agencies. Keep those HT's charged and programed, they will always be our first line of communications in a grid down situation. Be ready when needed to support ARES when asked. The more you prepare the less you will have problems.

Download this resource on your smart phone, tablet, or computer on this link ....[NIFOG: National Interoperability Field Operations Guide \(Version 2.01\)](http://NIFOG: National Interoperability Field Operations Guide (Version 2.01))

**April 2026**



Olmsted and Dodge County storm spotters are supported by the Olmsted EOC NCS. Skywarn training started for both skywarn spotter groups on March 23rd at the Olmsted County EOC. Attendance was good for this hybrid virtual training presented by the La Crosse National Weather Service. The Olmsted EM director had food catered in for us before the training session as appreciation for our time and commitment to the NWS Skywarn program. A tour of the new facility was an added plus. There were several new people attending with the standard group. Some new storm spotters have asked to ride along with seasoned members to learn storm spotting. We will accommodate them when they ask during a Skywarn activation. We have added an ARES computer to the Olmsted EOC radio room's other computers due to their firewall restrictions that do not allow their computers to download our information. This will allow us to receive our files, emails, photos and videos from field units without using our NCS smart phones for the [w0mxw@yahoo.com](mailto:w0mxw@yahoo.com) ARES primary emails with attach photos and videos. We are considering another easier and faster resource in the future for our field units to use but more on that later.

There are two more virtual training sessions that you can do at home by going to this link and following the registration directions. You only have to train every other year.

Click on this link: [NWS La Crosse Spotter Page](#) for storm spotter information.

Reminder the Olmsted ARES nets are held every Sunday evening at 21:00 CST on either the 146.820 PL 100 repeater when a Sunday has an even number date, or on the 147.255 PL100 when a Sunday has an odd number date. All are welcome even if you are not an ARES member. You may also check in by email to: [w0mxw@yahoo.com](mailto:w0mxw@yahoo.com) any time during the week, your email check in will be announced during the net. If you want to learn about A.R.E.S click on this link: [What Is The Role Of Amateur Radio In Emergencies? - Your Emergency Planner](#)

Thank you for your time and commitment to making a difference, you may contact Steve/W0STV at [w0stv@yahoo.com](mailto:w0stv@yahoo.com) or call 507-254-3993 anytime when needed.

**Steve Wiebke (W0STV) - Olmsted/Rochester ARES EC**

***The more preparation, the less confusion***

April 2026

# Contest Corner

Fred - K4IU

As April rolls in—with spring finally shaking off winter’s grip and the annual April Fools’ pranks behind us—the bands are shifting right along with the season. Sunspot numbers are beginning their slow decline, but there’s still plenty of ionospheric magic to enjoy, especially with a month packed full of operating opportunities. [QSO parties](#) are every weekend this time of year, giving operators across the country a chance to chase counties, rack up contacts, and enjoy friendly competition. And of course, two of April’s biggest events—the Russian [CQMM DX Contest April 18/19](#) and the [Florida State QSO Party April 25/26](#)—promise to keep logs filling and antennas warm. It’s a perfect month to dust off gear, stretch your operating skills, and welcome spring on the airwaves.





For a full list of contests, check the [WA7BNM Contest Calendar](#) and the [ARRL Contest Calendar](#). These calendars provide details, rules, and dates for all major contests throughout the year.

-----

### Antennas For Contesting

I am often asked what the best antennas for contesting are. There aren't any simple answers! For HF operators and contesters, the best antennas balance gain, bandwidth, and durability. High-performance options include stacked Yagis for directional gain and signal isolation, especially on 20, 15, and 10 meters. For broader coverage, a rotatable dipole or log-periodic array offers multi-band flexibility. Serious contesters often favor monoband Yagis at optimized heights for maximum efficiency. Vertical arrays and phased verticals excel on lower bands like 40 and 80 meters, where space permits. Ultimately, the best antenna is one that fits your operating goals, terrain, and budget.

But when you don't have the space, budget, or HOA freedom for big HF antennas and towers, the smartest move is to lean into designs that punch above their size. End-fed half-waves are a favorite because they're simple, multiband, and can be snuck into tight spaces as a sloper, zig-zag, or attic run. A small vertical with a few stealth radials can also do surprising work, especially with an external tuner. There are some hams who believe magnetic loops are the go-to for apartments or strict HOA environments. They are compact, efficient on the lower bands, and easy to rotate for noise nulling. I don't have any experience with these popular loops but there is lots of web help.

And when all else fails, a random wire with a good tuner and a solid RF ground will get you on the air. Just ask some of our veteran POTA operators. The real secret is optimizing what you *can* install—reducing noise, using quality feedline, and getting the antenna as high and in the clear as your situation allows. Even modest setups can be competitive when they're well-tuned and thoughtfully deployed.

CU next month

73  
Fred K4IU



# Hamster Hints

Bob - KEØEXE

***We've probably all found an interesting item at a swap-meet, for cheap, and said, "I'd like to play around with that, even if it doesn't come with a schematic!"*** In my case, I recently acquired a free, battery-backed-up emergency light, for lighting an area automatically when a building's ac power is lost (like during a bad wind-storm). Here are tips to create that schematic diagram, from the raw PCB (printed circuit board), and how I did it for my project.

Obviously, I first needed to remove the PCB from the case. I disconnected all plugged cables, too, to make it easy handle the PCB. I started by making an initial drawing, guided by my knowledge of what "should be" inside such an appliance, then drawing a few of the major components on a blank piece of paper, in locations that I thought made sense based on similar circuits I have seen in the past. (It is best to use pencil, not pen, to draw lightly, and to have a good eraser handy!)

After this, I began looking for connections between those components, and I added other components as I encountered them, following the copper PCB traces. This was a PTH (plated-through-hole, aka "pin through hole") PCB—so it was fairly easy to see everything; SMA (surface mount assembly) is much more difficult (often the boards have more than two layers of traces, too—this board had only one). Having an ohmmeter handy was essential, for checking certain continuities and measuring resistor (mostly) component values. This First Drawing was a topological mess and contained quite a few errors, so it was hard to guess even the intended functionality of individual semiconductor devices in the circuit—but that was all okay, as I wasn't done yet.



**April 2026**

Next, I redrew the First Drawing, to simplify the node-routings and put the major components in better locations, all on a second sheet of paper. That Second Drawing was a relaxing “sofa and tea” exercise, using a clipboard; I didn’t even have the PCB in front of me.

For the Third Drawing, I went back to the bench, armed again with my DMM (Digital Multi-Meter), and tried to verify all connections and component references and values. (My PCB had painted-on, component-reference artwork (thankfully!), so I didn’t need to make my own, additional “layout” drawing of the PCB.) This is where the rubber met the road, and this is the drawing with all the red ink on it, so I could see all my initial errors! I found missing components, bad connections, and even wrong resistor values. Once I had this Third Drawing finished, the circuit functionality became very clear. (BTW, I needed a schematic mainly because I wanted to add a simple switch to the circuit, somehow, to add some extra functionality of my own: I wanted the capability of manually turning-on and -off the lights, whether the AC power was On *or* Off.)

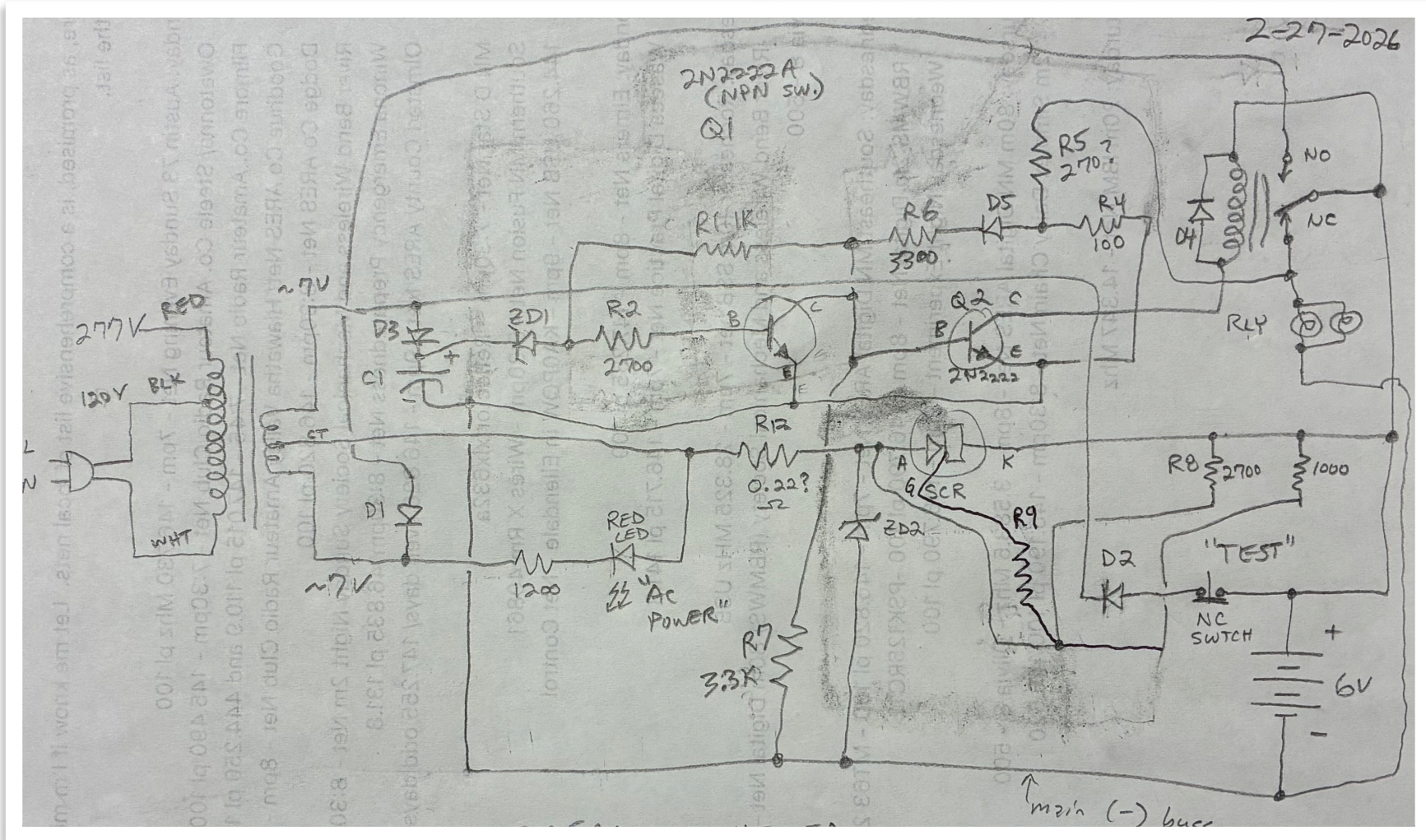
From the Third Drawing, I made a Fourth, with everything in its “right” place, logically, and with appropriate white-space around each component, for readability. I continued to simplify the node lines. I also labeled the major, functional “blocks” (or sub-circuits) in the device, to help me remember how the thing actually works, later on.

If you want to study the four diagrams (beginning on next page), you might pick up extra insights, but that was the basic process I followed. If I ever have time to add my special switch, I’ll perhaps describe the EC (“Engineering Change”) in a future Hamster Hints. (That will probably require a Fifth Drawing.)

Now, “Go forth and reverse-engineer!”



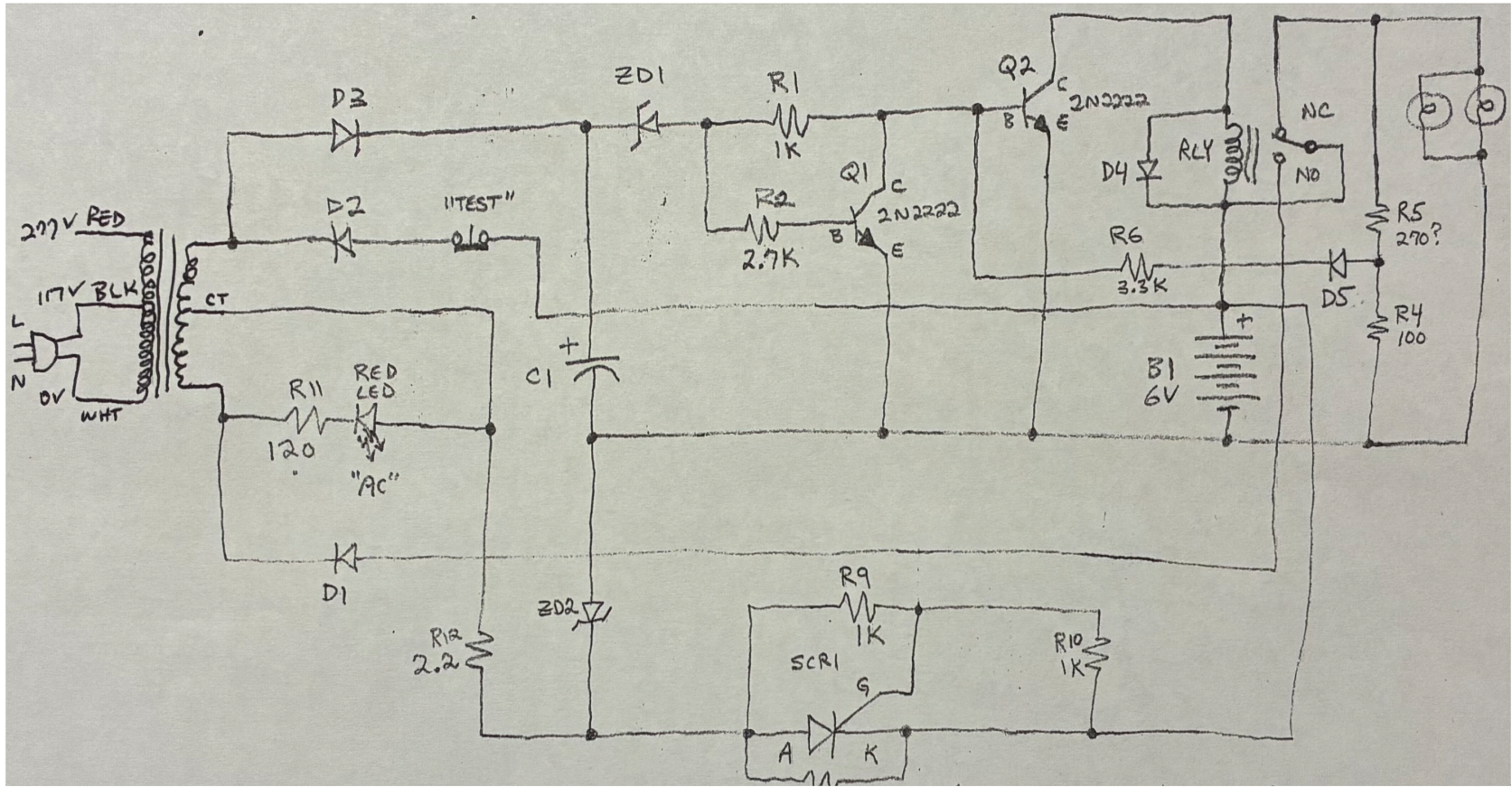
April 2026



First Drawing —a "topological mess!"



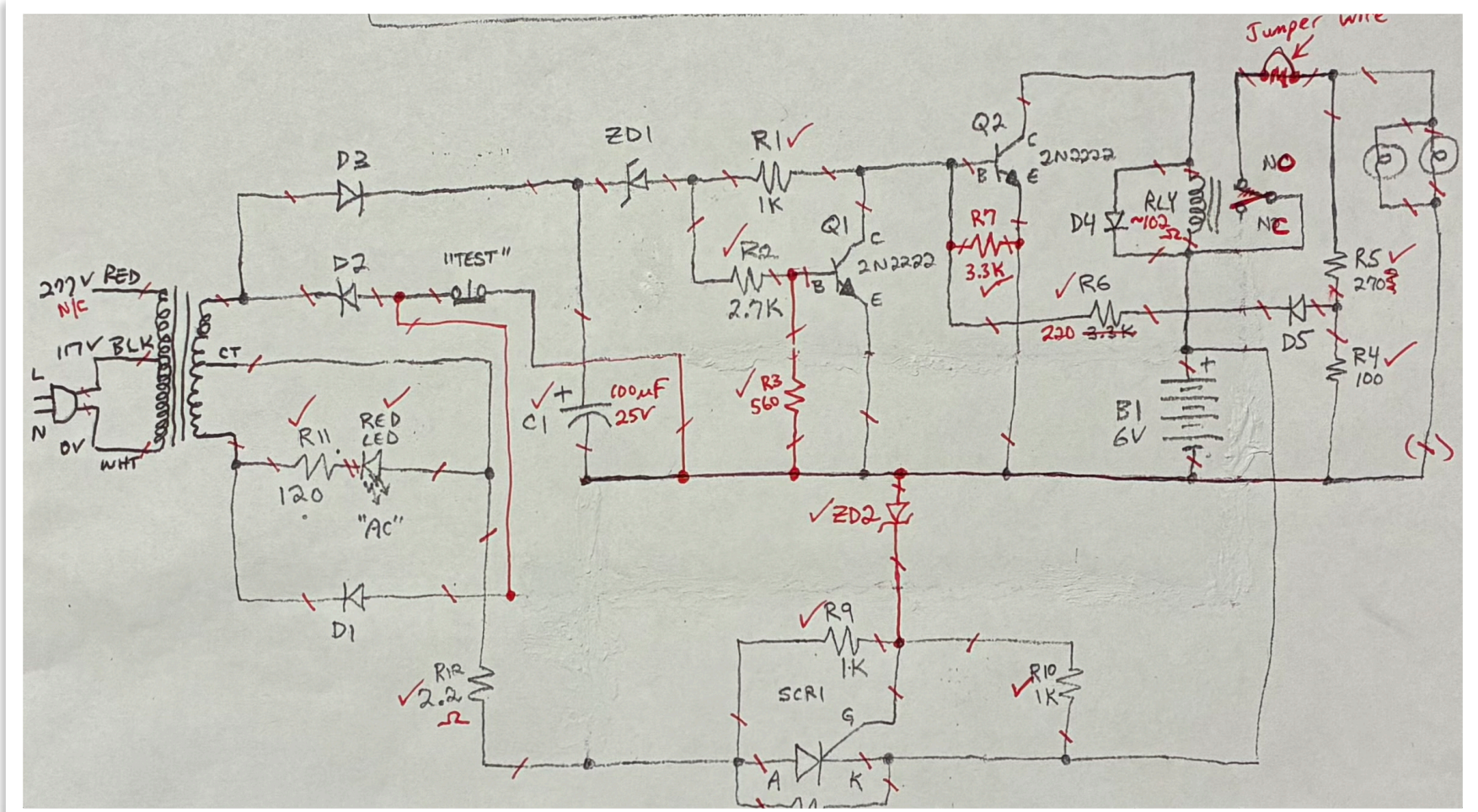
April 2026



Second Drawing—refining the First Drawing, based on experience.



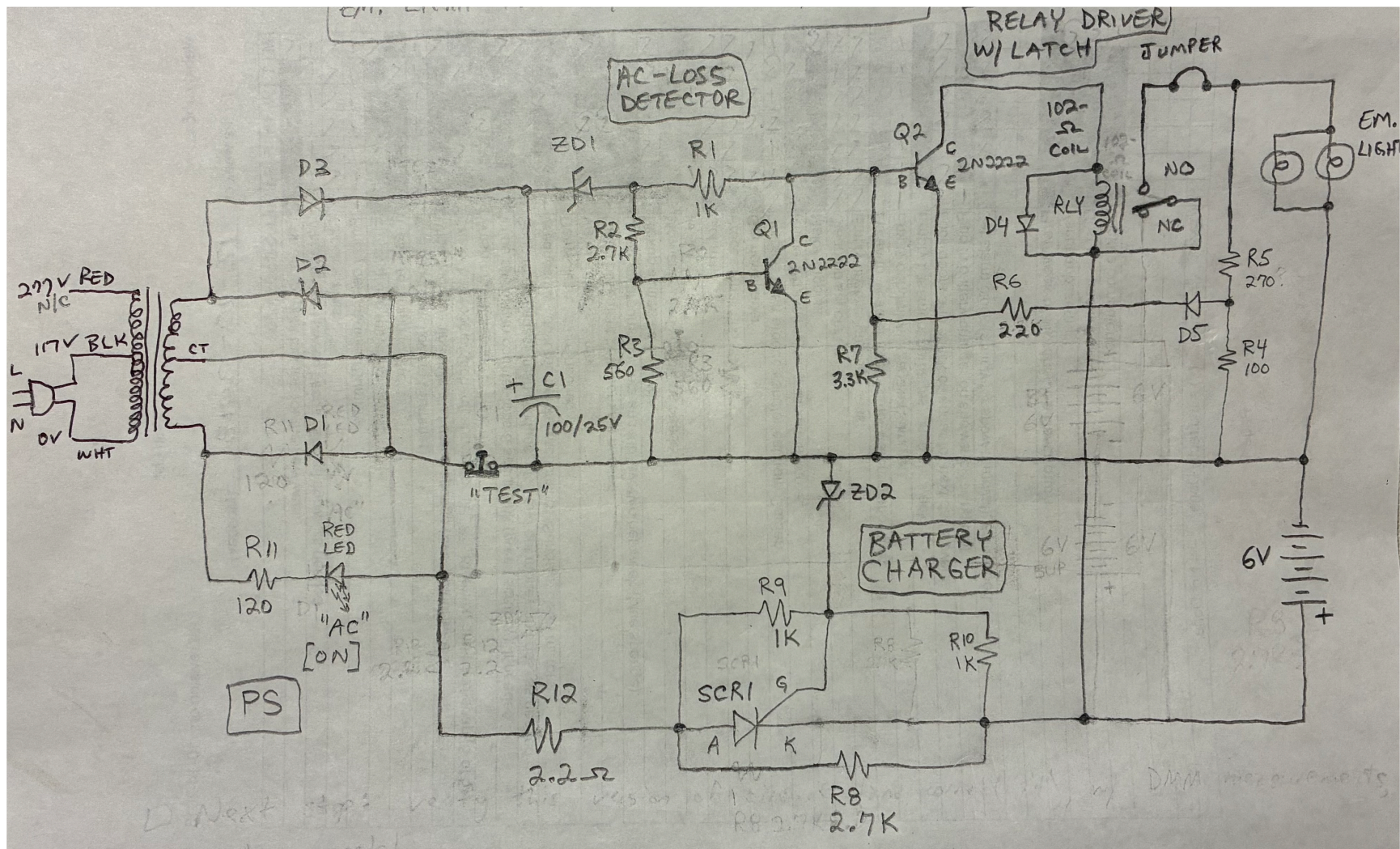
April 2026



Third Drawing—checking and correcting the Second Drawing.



April 2026



Fourth Drawing—making the corrected, Third Drawing, neat and

April 2026



## RARC TECH COMMITTEE

Eric - KFØS

**Attendees:** Eric VN (KF0S), Eric K (KFORHE), George (N0UM), Gil (W0MN), Jared (KF0PGS), Taylor (WB0RSJ), Steve (W0STV)

### Mayo

- **D-Star**

Thanks to Pat for getting the Gateway Server reinstalled.

Debian and F4FXL/DStarGateway, a non-Icom supplied, Gateway software.

D-Star network power switch is configured and accessible. Fusion switch needs to be master reset during next visit.

Replaced router and turned on DMZ on the DSL router so we shouldn't have to port forward in 2 places.

Pat is working on remote access documentation.

No new status on site access for Taylor.

### **82 Repeater**

60 Hz hum (?) noted during last ARES net.

Talking with John D, a plan is to try remove power supply (run on batteries), the battery maintainer, and maybe the battery to narrow down the cause.

Will look at antenna SWR. Some later discussion about the repeater possibly being a little deaf.

### **Digipeater**

John S said he has two of each of the site access keys so Eric will get one set from him.

### **Facebook page**

Steve was going to check on getting admin access for the current page. Taylor checked on recovery from Facebook and it's no longer a possibility.

*It looks like some of the club leadership now has full access.*

### **Get club license in order: new trustee and new club FRN (current FRN is the current trustee's personal FRN which is not desired).**

Eric talked with ARRL VEC on the process:

Get a Club FRN:

Visit the FCC CORES website and log in with a user profile.

Choose "Register a New FRN" if the club does not already have one.

Select "Entity Type" as "Private Sector" and "Subtype" as "Amateur Club".

Provide the necessary information for the club entity.

Go into ULS and disassociate the current FRN with the license. Gil needs to do this?

Associate the new FRN with the club license.

Submit the 605-C to change the trustee. ARRL has a page describing the process and requirements (including meeting minutes identifying new trustee (we should have this from last summer)).

Eric and a board member, TBD, will work on getting this done.



April 2026

# RARC MEETING MINUTES

Collin - AAØCN

## Meeting Minutes, March 2026

**Presentation:** DigiRig, by K0TX

**Pay dues if you have not!**

### Events:

- ARES meeting this Saturday March 14th 9:30pm at Fire Station EOC
- Skywarn training 5:30PM March 23 at the Olmsted EOC (by airport)
- Hamfest MidWinter Madness March 21st 8:30AM Buffalo (West on Hwy 55), \$10 admission 1306 County Rd 134 in Buffalo MN

**Nets:** See list of nets in this issue of the Hamster

**Treasurer Report:** See report in this issue of the Hamster

**Tech Committee** report KF0S

- See report in this issue of the Hamster

**JM School Club:** AA3ME

- Meets on Tuesdays, W0STV, N0HCK, N0MGY visited, got yearbook photo!

**Education:** K0VH

- Maple Grove Technician Class on Zoom going well, new hams like it!
- They do have an Extra class license as well (not as often).

**ARES/Skywarn/Public Service** W0STV

- Skywarn March 23rd at new Olmsted County Public Service Building (50th St SE). Actual LaCrosse Virtual Event to be streamed. Food likely. Talk-in on the 255. East of Fleet Farm.
- ARES 9AM-11AM at EOC on Saturday March 14th, 800MHz radios KA0MYG overview. Also Starlink communications.

### New Business:

Our VP has resigned, looking for new one!

- May 2nd: POTA outing, looking for leader! Douglas Trail at the Douglas Stop. N0SPN perhaps?
- Field Day June 27-28: Chester Woods is out. RochesterFest is 8 days, would need to man for 8 days. Can fall back to FireStation #2.
- 1883 Rochester Tornado commemoration, August 21st. TBD.
- 125Live work request to get combo lock on equipment taken care of.
- KE0SHQ relative offering to linux-ify older machines next 4-8 weeks.

**Drawing:** AB0BW winner!

April 2026



# RARC TREASURER'S REPORT

George - NØUM

<b>Opening Balance:</b>	\$2,079.85
Checking:	
Credits:	
Dues:	\$120.00
PayPal Dues:	\$270.00
Equipment Sold:	
Raffle:	\$28.00
Donation:	
Misc:	
Debits:	
RPU	\$37.69
Meeting Food	
Paypal Charges	\$9.81
Field Day:	
Picnic	
Equipment	
Tower Lease	\$10.00
Insurance	
Web domain	
Postage	
Misc.	
Total:	\$2,440.35
<b>Savings:</b>	
Opening Balance	\$8,829.30
Credits:	
Interest:	\$0.33
Closing Balance:	\$8,829.66
<b>TOTAL</b>	<b>\$11,270.01</b>
CD Matures January	\$4,000.00
CD Matures January	\$4,849.51

April 2026



## Happenings In The Dakota Division

Bill Lippert - ACØW - ARRL Dakota Division Director

This time I've added a few different types of events in the Special Events section. First is the YL POTA day being held on Sunday March 8, which is also International Women's Day. Weather forecast for the day looks to be a great day to get out into the parks for the event. Read more about both in the links provided.

Then in April there is World Amateur Radio Day recognizing the formation of the IARU in 1925 on April 18. Along with that is Amateur Radio Open House which gives clubs an opportunity to invite the public to visit and learn more about amateur radio. Again, check out the links for more information.

Last month the Minnesota QSO Party was held with a good turnout. In a week our neighbors to the east, Wisconsin will be hosting the Wisconsin QSO Party. Several Minnesota stations are planning mobile or rover operations. Get on to support them and the other participants by giving them a few QSO's.

Later in March there are two hamfests. First on March 21st is Midwinter Madness in Buffalo, MN. This event draws a good crowd and tables filled with deals. Then on March 28th is the ARRL North Dakota State Convention in Bismarck, ND. Plan for the ARRL Forum is a presentation covering benefits of being and ARRL member. I'm currently scheduled to be at both, weather permitting.



April 2026

Last item is a change the FCC made in the Commissions Rules that while focused on addressing robocalls also impacts amateur radio. The rule changes now require amateurs to update their FRN and license addresses within 10 days of the changes. You can read more about it in this news release by the ARRL

[www.arrl.org/news/fcc-requires-that-frn-contact-information-be-updated-within-ten-days-of-a-change](http://www.arrl.org/news/fcc-requires-that-frn-contact-information-be-updated-within-ten-days-of-a-change)

Thanks for reading and hope to see some of you at one of the hamfests.

73

Bill Lippert AC0W

ARRL Director

Dakota Division

[ac0w@arrl.org](mailto:ac0w@arrl.org)

#### **Division elected leaders:**

**Director** Bill Lippert, AC0W [ac0w@arrl.org](mailto:ac0w@arrl.org)

**Vice Director** Vacant

**MN Section Manager** Bill Mitchell, AE0EE [ae0ee@arrl.org](mailto:ae0ee@arrl.org)

**ND Section Manager** Ralph Fettig, NORDF [fettigrd@gmail.com](mailto:fettigrd@gmail.com)

**SD Section Manager** Chris Stallkamp, KI0D [ki0d@arrl.org](mailto:ki0d@arrl.org)

#### **SPECIAL OPERATING EVENTS**

July 4 – 5, 1500 – 2359 UTC; K0ND

Theodore Roosevelt Presidential Library Dedication

Theodore Roosevelt Amateur Radio Club

K0ND - 28.430, 21.375, 14.340

QSL – TRARC

PO BOX 1854

Dickinson, ND 58602-1854

[www.trlibrary.com](http://www.trlibrary.com)

April 2026



**Are you a member of the [ARRL](#)?**  
**Are you new to Ham Radio?**  
**Have you been licensed for a while but not active?**  
**Are you active but never explored the [ARRL](#)?**

***RARC has been an [ARRL](#) affiliated club for the past 50+ years. RARC wants all members to know about the benefits of being a member of the ARRL and how the [ARRL](#) promotes amateur radio and represents and supports Hams throughout the year.***

**Here is a link for you to view what the [ARRL](#) offers Hams. Take a look:**

**[ARRL Benefits](#)**

April 2026



## Wednesday Morning **RARC** Ham Radio Gathering

# You Are Invited!

*Stop By For Breakfast or Coffee  
&  
Ham Radio Talk!*



• **Wednesdays at 9:00 AM (1400 UTC)**

**Rooster's (North Location) - 2280 Superior Drive NW**

April 2026



# Parks On The Air® (POTA)



K4IU during a recent POTA activation at [Fort DeRussy Park](#), Hawaii

*Perhaps you've heard talk on the repeaters or on one of the Nets about [Parks On The Air \(POTA\)](#) You might be interested and think that it could be fun to operate your rig and antenna remotely in a beautiful outdoor setting.*

In a nutshell it's all about operating in a state or national park, state trail, national monument, historical location or national battlefield and making at least 10 QSOs to "activate" the entity. It's as simple as that, but there are a few [rules](#).

Take a look at the [Parks On The Air](#) website, view the [FAQ page](#), the [Help/Getting Started](#) section and perhaps view some of the getting started [videos](#) by seasoned POTA operators. If you are interested in becoming an Activator fill out the [sign-up](#) to become a member and get started.

April 2026



# Weekly Nets

## Sunday:

**Austin 73 Sunday Evening Net** - 7 PM - 146.730 MHz. PL 100  
**Owatonna/ Steele Co. Amateur Radio Club Net** - 7:30 PM - 145.490 PL 100  
**Fillmore Co. Amateur Radio Net** - 7:45 PM - 147.015 PL 110.9 and 444.250 PL 136.5  
**Goodhue Co ARES Net/ Hiawatha Valley Amateur Radio Club Net** - 8 PM - 147.300 PL 136.5  
**Dodge Co ARES Net** - 8:30 PM - 146.820 PL 100  
**River Bend Wireless and Mechanical Society Sunday Night 2m Net** - 8:30 PM - 146.790 PL 100  
**Winona Emergency Preparedness Net** - 8:30 PM 146.835 PL 131.8  
**Olmsted County ARES Net** - 9 PM - 146.820 even days/ 147.255 odd days both PL 100

**MN D Star Net** - 7:30 PM - Reflector XLX632A  
**Southern MN Fusion Net** - 8:30pm - Wires X Rm 40861  
**144.260 USB Net** - 9 PM - KA0PQW in Ellendale - Net Control

## Monday:

**Elmers Net** - 8 PM - 147.255 PL 100  
**Waseca Digital Practice Net** - 7 PM - 146.715 PL 141.3

## Tuesday:

**Rochester 10m SSB net** - 7 PM - 28.325 MHz USB  
**River Bend Wireless and Mechanical Society (RBMWS) 80m Digital Net** - 8pm - 3.583 MHz. - Olivia 8 - 500

## Wednesday:

**Southeast MN Digital ARES Net** - 7 PM - 146.820 PL 100 - MT63 2000L  
**RBWMS 2m Digital Net** - 8 PM - 146.790 PL 100 - PSK125RC12  
**Wednesday Night Experiment** - 9pm - 146.790 PL 100

## Thursday:

**80m MN Digital ARES Net** - 8 PM - 3.583.5 MHz. - Olivia 8 - 500  
**2m Simplex Daisy Chain Net** - 8:30 PM - 145.190 PL 100/146.520

## Saturday:

**20m IBM Net** - 11 AM - 14.347 MHz.



April 2026

# Contact RARC

*RARC meets the second Tuesday of each month at 6:30 PM (except the August meeting is the Annual RARC Picnic and January is the annual holiday party) in the lower level of Rochester Fire Station #2 in the EOC at 2185 Wheelock Drive NE, Rochester, MN*

**Website:** <http://www.rarchams.org/>

**Mail:** RARC , P.O. Box 1, Rochester, MN 55903

**Groups.io:** [Register](#) to post and receive RARC official email, notices and the Hamster

**Weekly Net: Sundays at 9:00 PM: 147.255 repeater** (PL Tone 100) **Odd** numbered Sundays  
**146.820 repeater** (PL Tone 100) **Even** Numbered Sundays

If you have any questions or comments about the Hamster or are interested in perhaps being a contributor please feel free to [contact me](#).

Thank you for reading the Rochester Amateur Radio Club's  
Official Publication.

**G. Mark Kelm - KØGMK - Editor**